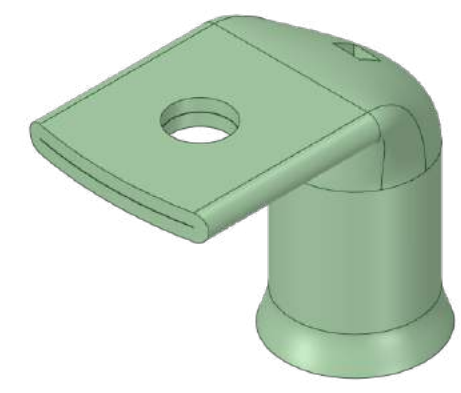
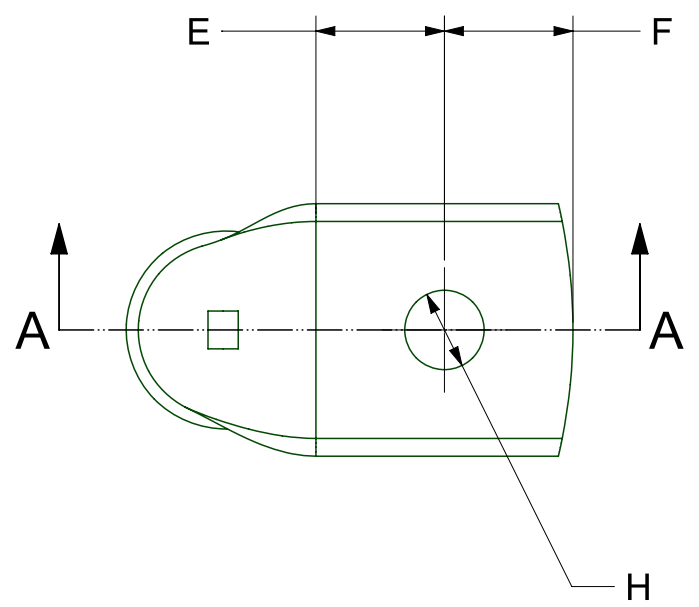
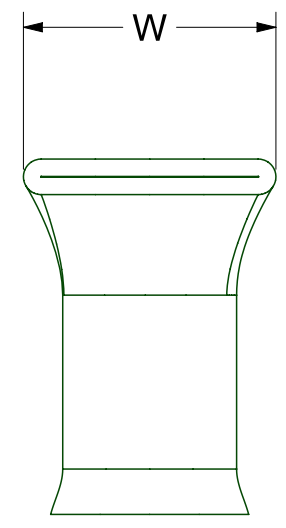
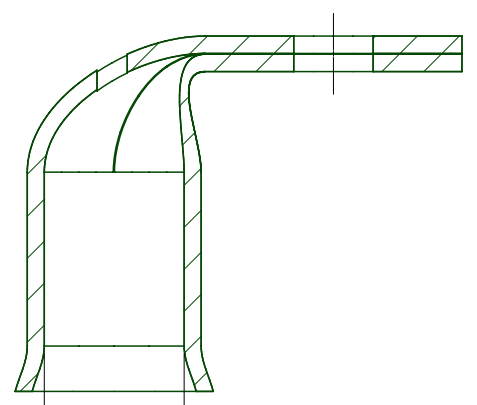


REVISION HISTORY	
1	Original Concept



SECTION A-A



Ø18.5mm

PART NO.	H (mm)	E (mm)	F (mm)	W (mm)
TCHD-B90-185-0	N/A	N/A	34.0	33.5
TCHD-B90-185-6	6.5	17.0	17.0	33.5
TCHD-B90-185-8	8.5	17.0	17.0	33.5
TCHD-B90-185-10	10.5	17.0	17.0	33.5
TCHD-B90-185-12	13.0	17.0	17.0	33.5
TCHD-B90-185-14	14.5	17.0	17.0	33.5
TCHD-B90-185-16	16.5	17.0	17.0	33.5
TCHD-B90-185-20	20.5	17.0	17.0	33.5

UOS - LINEAR TOLERANCE PERMISSABLE DEVIATIONS FOR SIZE RANGE:
Tolerances according to DIN ISO 2768 (V)

DIMS IN MM	0.5 to 3	>3 to 6	>6 to 30	>30 to 120	>120 to 400	>400 to 1000	>1000 to 2000	>2000 to 4000
	-	±0.5	±1.0	±1.5	±2.5	±4.0	±6.0	±8.0

TOTAL CONNECTIONS 2009
Total Connections 2009 LTD
www.tc2009.co.uk
sales@tc2009.co.uk
Tel 01249 812 707

Drawing No. TCDR 1999
Part No. TCHD-B90-185-RANGE
Material. CW024A (C106) COPPER
Finish. 5MICRON ELECTRO TIN PLATED
SIZE A3 Date 21/04/2021 Created By: Dan Hewlett
SCALE 1:1 SHEET 1 of 1
REV 1